



# Helios

Tróchia Collection, Wall Mounted, 2019-20

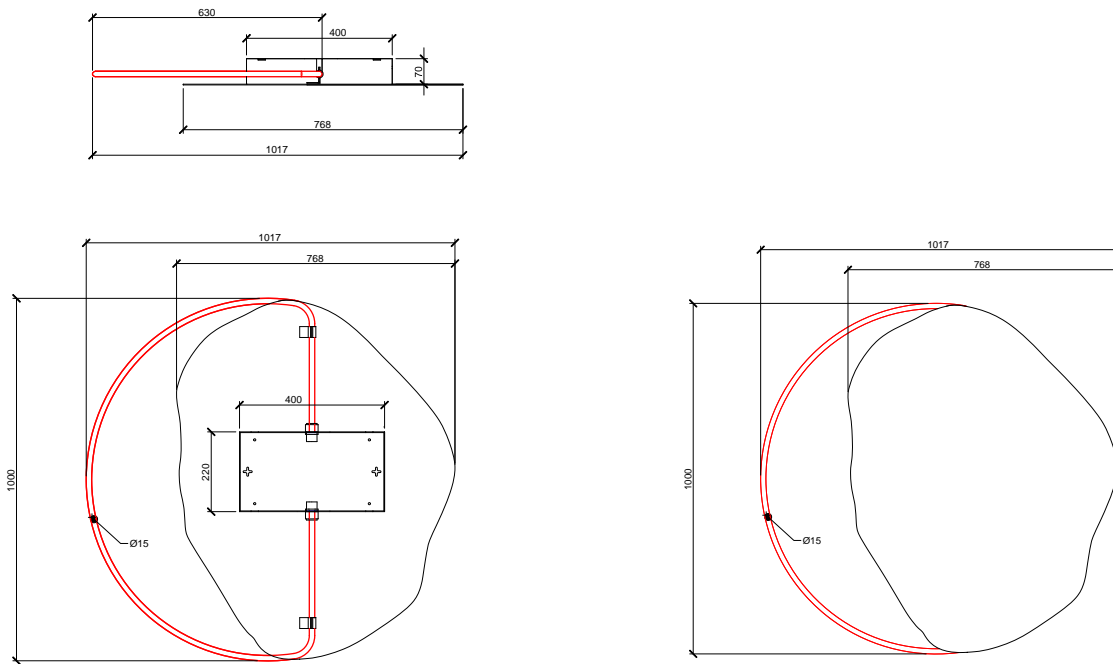




Metal rust and neon Tróchia Collection, Wall Mounted, 2019-20

Handcrafted rust finish

Handbend glass tube



### Product specifications

Height: 1000mm / 39.3''

Width: 1017mm / 40''

Depth: 72mm / 2.8''

Weight: 14kg / 30.8 lbs

Big metal part

Transformer box

Neon tube thickness

Neon tube sizes

768x1000mm / 30.2x39.3''

400x220x70mm / 15.7x8.6x2.7''

Ø15mm / 0.59''

630x1000mm / 24.8x39.3''

### Neon specifications

120V or 220/240V

Cold cathode neon

40 Watt

3000K (warm white)

1800 Lumens

CRI >90

Dimmable DALI or 1-10V for the  
220x240V version only

Noon Ltd.

1 Louis Eyer ,Sofia 1404, BG

T +359 87 898 3930

office@no-on.eu

www.no-on.eu

© 2020 Noon Ltd. All rights reserved.