



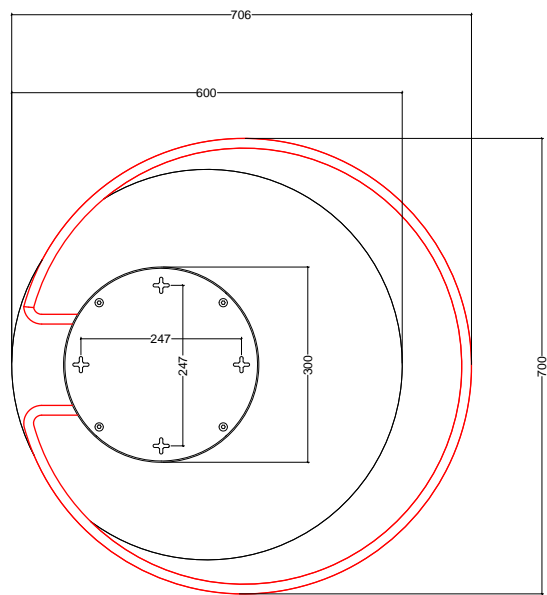
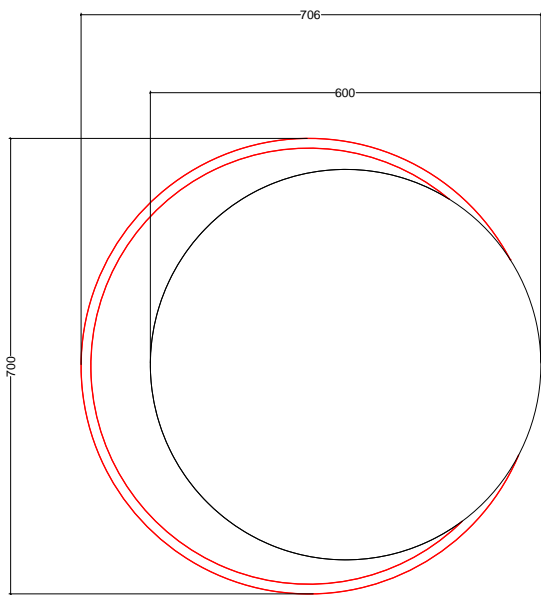
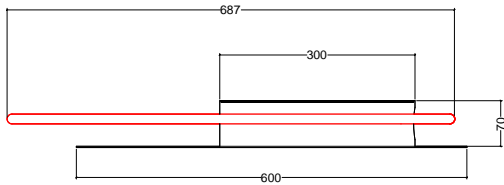
Periforá

Tróchia Collection, Wall Mounted, 2019-20





Metal rust and neon Tróchia Collection, Wall Mounted, 2019-20, Wall Mounted, 2019
Handcrafted rust finish
Handbend glass tube



Product specifications

Height: 719mm / 28.3"
Width: 715mm / 28.1"
Depth: 72mm / 2.8"
Weight: 8kg / 17.6 lbs

Big metal circle $\text{Ø}600$
Small metal circle $\text{Ø}300$
Neon tube thickness $\text{Ø}15$
Neon tube width $\text{Ø}700$

Neon specifications

120V or 220/240V
Cold cathode neon
40 Watt
2800K (warm white)
1800 Lumens
CRI > 90
Dimmable DALI or 1-10V for the
220x240V version only

Noon Ltd.
30 Rozova Dolina ,Sofia 1421, BG
T +359 87 898 3930
sales@no-on.eu
www.no-on.eu
© 2019 Noon Ltd. All rights reserved.